



# VERTICAL PRESSING STATION

Vacuum Assisted, On Hanger  
Garment Touch-up.

Designed to compliment a  
garment finisher

- Touch-up garments vertically while still on hanger
- Improves operator efficiency
- Improved ergonomics
- Self contained vacuum system
- Includes sleeve board
- Space saving footprint
- Affordable
- Easy installation



[Sales@leonardautomatics.com](mailto:Sales@leonardautomatics.com)

704-483-9316

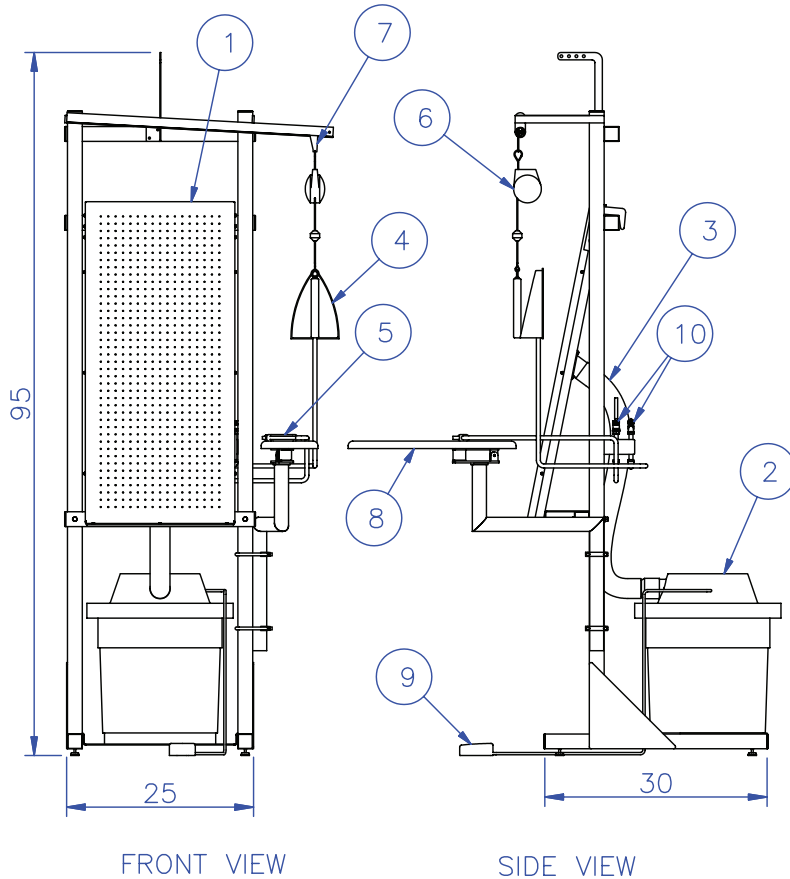
[www.leonardautomatics.com](http://www.leonardautomatics.com)

## LEONARD AUTOMATICS, INC.

*"our reputation is stainless"®*



## LAYOUT DESCRIPTION



1. Press Buck
2. 110VAC Vacuum
3. Vacuum Hose
4. Steam Iron
5. Water Spray
6. Tool Balancing System
7. Trolley
8. Adjustable Height Sleeve Board
9. Foot Pedal for Vacuum Operation
10. Steam and Water Inlet

Sales@leonardautomatics.com

704-483-9316

www.leonardautomatics.com

# LEONARD AUTOMATICS, INC.

*"our reputation is stainless"®*