



LCW

Automated Batch Cart Washers



AVAILABLE IN SINGLE CART (LCW96) AND DOUBLE CART (LCW144)

LEONARD AUTOMATICS, INC.

"our reputation is stainless"®

Containment

A closed cart washing system that contains water spray atomization within the machine.

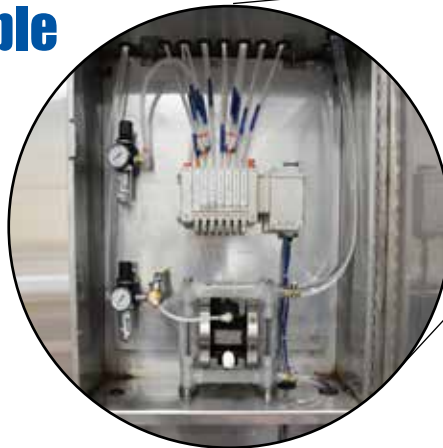
Full Control

Equipped with a color touch screen control system providing you with total control. This system allows you to decide how to get the best results to meet your requirements.



Customizable

A washing system that provides the flexibility to customize your entire wash process and chemistry based on your specific requirements.



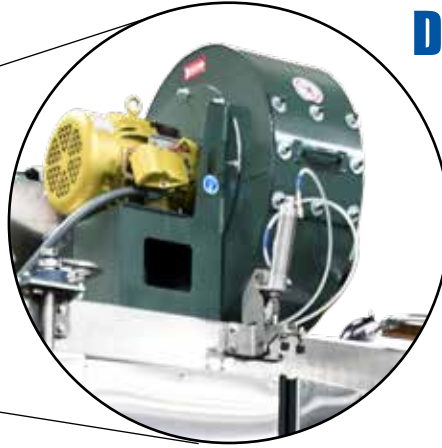
Small Footprint

Designed to fit into the smallest footprint possible with the ability to clean up to 75" tall carts and still have easy access to all components.



Drying Capacity

Manufactured to deliver high velocity airflow to reduce the surface moisture reducing your overall drying time.



304 Stainless

We manufacture our equipment with 304 stainless steel. This is the preferred standard material throughout the food and beverage and healthcare industries. It will provide years of operational use.



Automation

The automated washing system opens the doors and automatically moves carts out making your Operator as effective as possible.



TECHNICAL SPECIFICATIONS

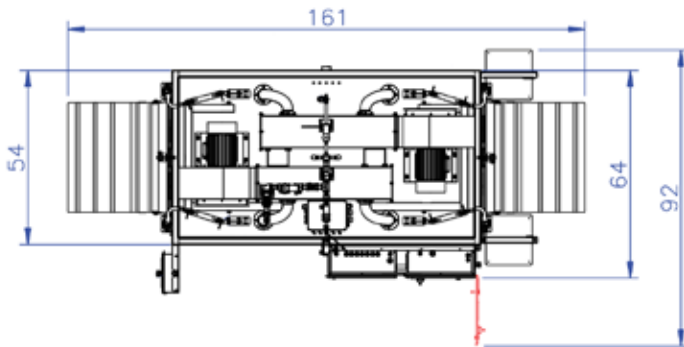
STANDARD FEATURES:

- 304 Stainless Steel Construction
- Automatic Doors and Ramps
- Automatic Cart Ejection
- Siemens PLC Control System
- Air Purge

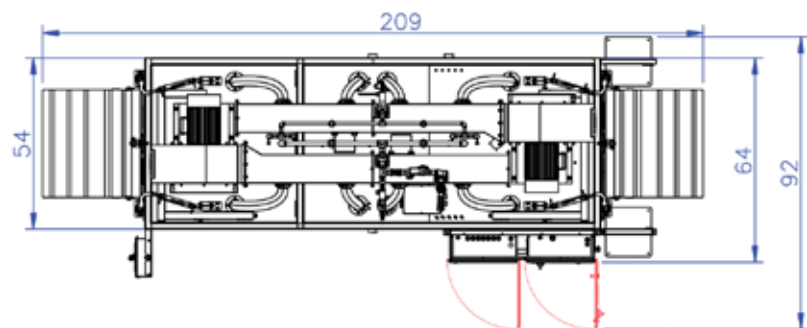
OPTIONAL FEATURES:

- Airflow System to Reduce Drying
- Second Chemical Pump System
- Water Heating System (changes amperage)
- Spare Parts Kit
- Water Spray System with Tank, Pump, Nozzles

Specification	LCW96	LCW144
Machine Weight	3,400 lbs. Approx.	5,000 lbs. Approx.
Overall Dimensions	161"L x 92"W x 128"T	209"L x 92"W x 134"T
Amperage @ 230/460	34 / 19	60 / 32
Process Water Temperature	Customer Supplied 150°F	Customer Supplied 150°F
Average Water Usage per Cycle	7 Gallons	13 Gallons
Airflow Blower CFM	5,000	10,000
Airflow Blower Motor HP	10 HP Total	20 HP Total



LCW96



LCW144

**Please consult layout drawings for detailed dimensions including conveyor, control panels and utility connections.
Specifications and design subject to change without notice.
Manufactured in the U.S.A.
Updated: 08/30/2022*



5894 Balsom Ridge Rd. / PO Box 501 Denver, NC 28037
 ph: 704-483-9316 / fx: 704-483-4538
 sales@leonardautomatics.com - www.leonardautomatics.com