

ITEM	DESCRIPTION
1	DC DRIVE UNIT – VARIABLE SPEED
2	CONVEYOR CLUTCH
3	CONVEYOR, GUARD, & LOAD AREA
4	PROXIMITY SWITCH – INITIATES STEAM & COUNT
5	MOVABLE CONTROL BOX
6	STEAM GAGE
7	CONVEYOR SUPPORT
8	GARMENT TRANSFER POINT & STORAGE RAIL
9	GARMENT STORAGE RAIL SUPPORT
10	CONDENSATE RETURN – 1/2" PIPE
11	HIGHT OUTPUT CIRCULATION BLOWER
12	STEAM INLET – 1" PIPE
13	OPTIONAL EXHAUST CANOPY WITH FAN & MOTOR



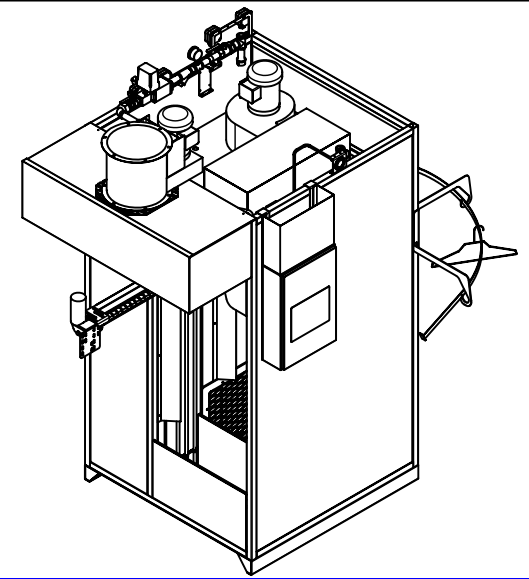
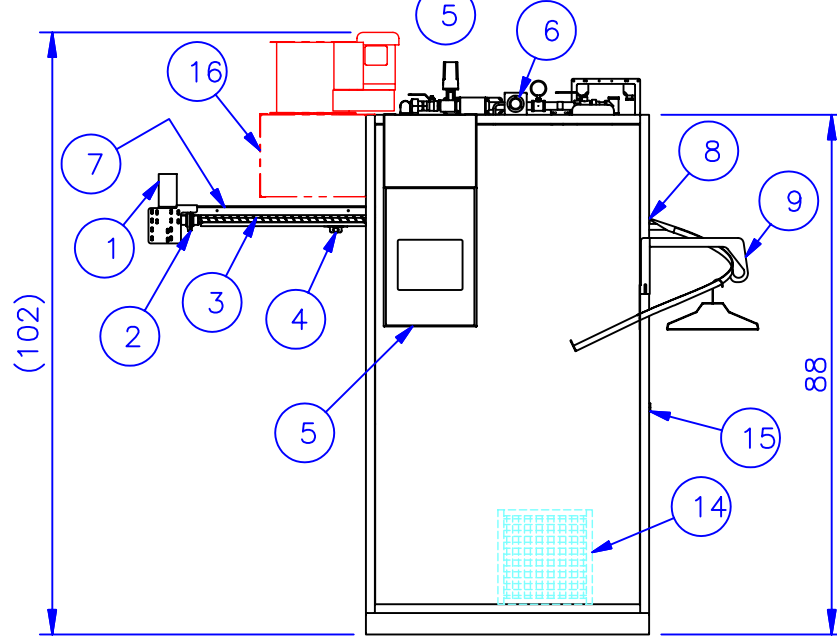
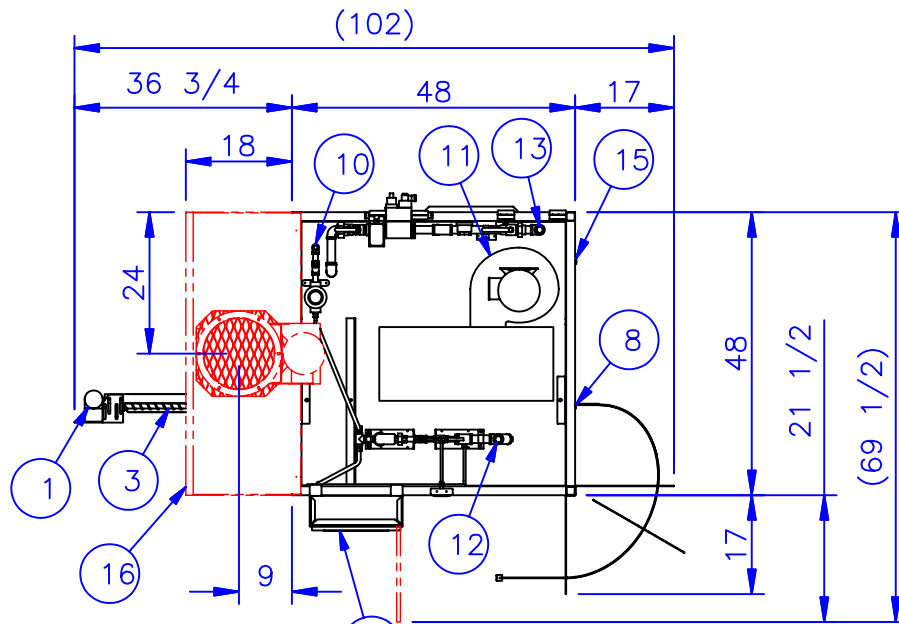
MODEL **IM48SH**
FINISHING TUNNEL

DESIGNED BY: SPM
 DRAWN BY: RVH
 CHECKED BY: RVH
 APPROVED BY: NTS

DRAWING NUMBER
IM48SH

DRAWING REVISIONS			
REV#	DATE	BY	DESCRIPTION
-	11/25/78	SPM	CREATED DRAWING
A	12/27/78	SPM	MODIFIED COLLAR FOR SUPPORT & HOOD
B	12/11/78	SPM	UPDATED MACHINE GEOMETRY
C	11/15/79	SPM	CORRECTED STEAM HEADER GEOMETRY
D	11/28/79	SPM	ADDED ITEM 12 DESCRIPTION

This document is the property of Leonard Automatics, Inc. It has been prepared to provide information to our client, for their decision making and approval process. Any other uses, without the express written permission of Leonard Automatics, Inc. is prohibited. Furthermore, any reproduction of this document, without the express written permission of Leonard Automatics, Inc. is also prohibited.



ITEM	DESCRIPTION
1	DC DRIVE UNIT – VARIABLE SPEED
2	CONVEYOR CLUTCH
3	CONVEYOR, GUARD, & LOAD AREA
4	PROXIMITY SWITCH – INITIATES STEAM & COUNT
5	MOVABLE CONTROL BOX
6	STEAM GAGE
7	CONVEYOR SUPPORT
8	GARMENT TRANSFER POINT & STORAGE RAIL
9	GARMENT STORAGE RAIL SUPPORT
10	CONDENSATE RETURN – 1/2" PIPE
11	HIGH OUTPUT CIRCULATION BLOWER
12	STEAM INLET – 1" PIPE
13	GAS TRAIN WITH 1" PIPE INLET
14	BURNER AIR INLET FILTER (FAR SIDE)
15	FLAME SIGHT GLASS
16	OPTIONAL EXHAUST CANOPY WITH FAN & MOTOR



LEONARD
AUTOMATICS
INC.

DRAWING NAME CLIENT

MODEL IM48GH
FINISHING TUNNEL

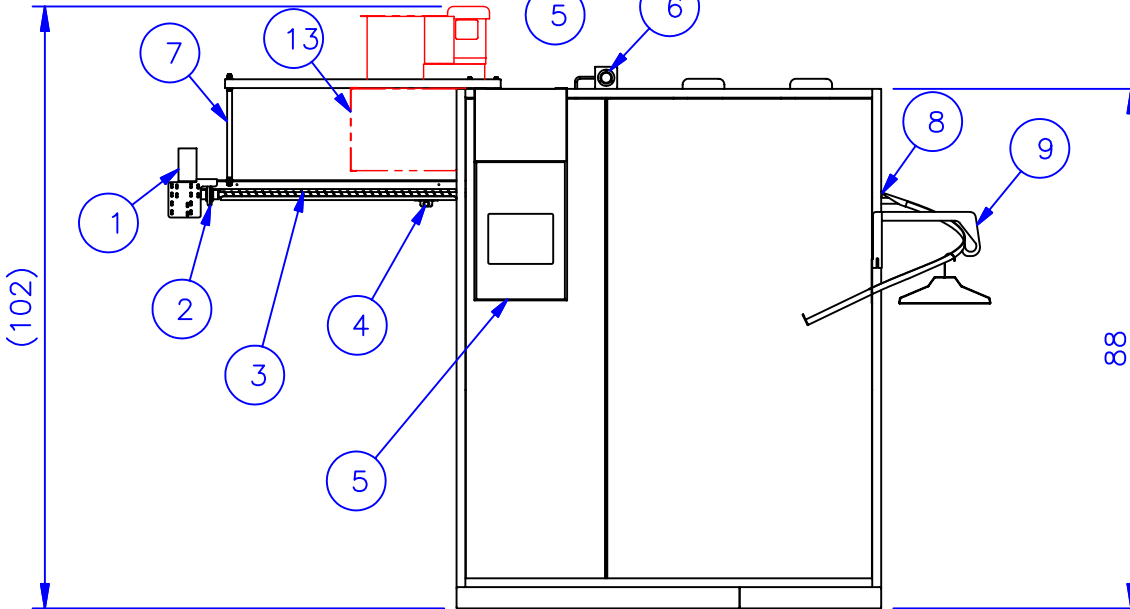
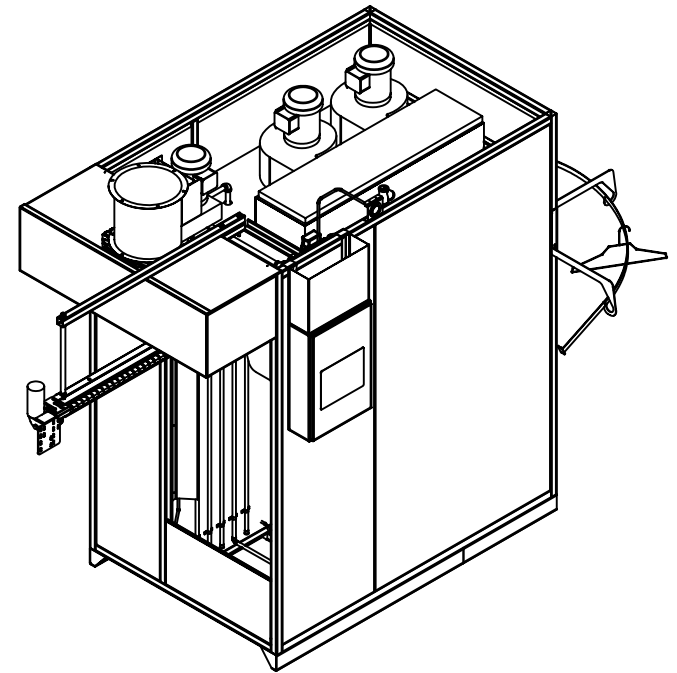
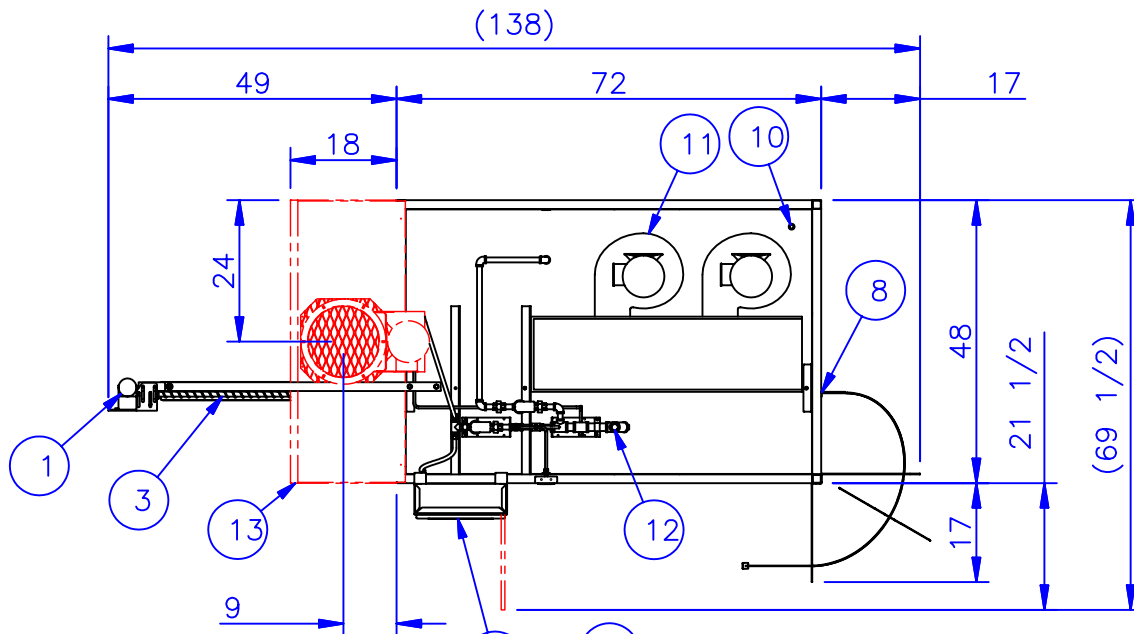
DRAWN BY SPM
CHKD BY RVH
APPD BY RVH
SCALE NTS

DRAWING NUMBER
IM48GH

DRAWING REVISIONS

REV#	DATE	BY	DESCRIPTION
-	08/09/2006	SPM	CREATED DRAWING
A	10/13/07	SPM	CORRECTED STEAM HEADER GEOMETRY
B	10/29/07	SPM	ADDED ITEMS 13 & 14 DESCRIPTIONS

This document is the property of Leonard Automatics, Inc. It has been prepared to provide information to our client, for their decision making and approval process. Any other uses, without the express written permission of Leonard Automatics, Inc. is prohibited. Furthermore, any reproduction of this document, without the express written permission of Leonard Automatics, Inc. is also prohibited.



ITEM	DESCRIPTION
1	DC DRIVE UNIT – VARIABLE SPEED
2	CONVEYOR CLUTCH
3	CONVEYOR, GUARD & LOAD AREA
4	PROXIMITY SWITCH – INITIATES STEAM & COUNT
5	MOVABLE CONTROL BOX
6	STEAM GAGE
7	CONVEYOR SUPPORT
8	GARMENT TRANSFER POINT & STORAGE RAIL
9	GARMENT STORAGE RAIL SUPPORT
10	CONDENSATE RETURN – 1/2" PIPE
11	HIGH OUTPUT CIRCULATION BLOWER
12	STEAM INLET – 1" PIPE
13	OPTIONAL EXHAUST CANOPY WITH FAN & MOTOR

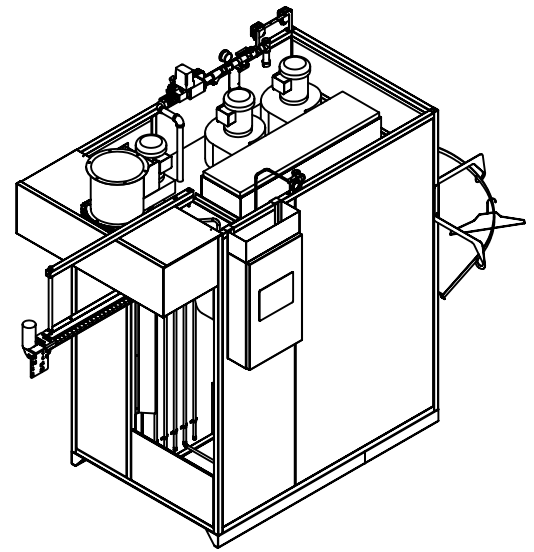
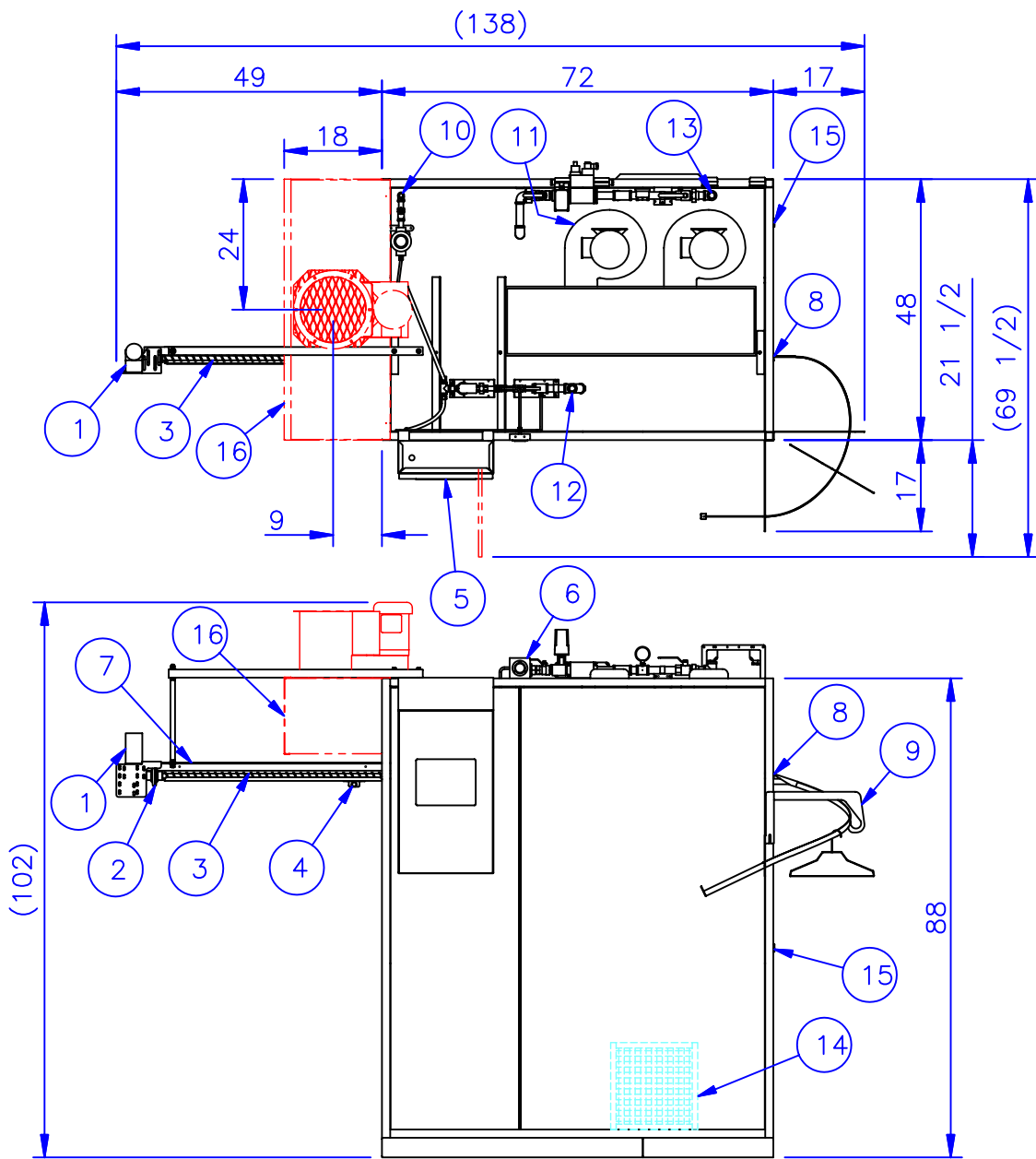


MODEL IM72SH
FINISHING TUNNEL

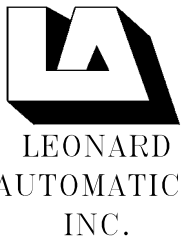
DESIGNED BY SPM
CHECKED BY RVH
DRAWN BY RVH
DATE NTS
DRAWING NUMBER
IM72SH

DRAWING REVISIONS			
REV#	DATE	BY	DESCRIPTION
1	11/2/05	SPM	CREATED DRAWING
2		RVH	MODIFIED CONVEYOR SUPPORT & HOOD
3		RVH	MODIFIED MACHINE GEOMETRY
4		RVH	CORRECTED STEAM HEADER GEOMETRY
5		RVH	MODIFIED HOOD TO ISOMETRIC VIEW

This document is the property of Leonard Automatics, Inc. It has been prepared to provide information to our client, for their decision making and approval process. Any other uses, without the express written permission of Leonard Automatics, Inc. is prohibited. Furthermore, any reproduction of this document, without the express written permission of Leonard Automatics, Inc. is also prohibited.



ITEM	DESCRIPTION
1	DC DRIVE UNIT – VARIABLE SPEED
2	CONVEYOR CLUTCH
3	CONVEYOR, GUARD, & LOAD AREA
4	PROXIMITY SWITCH – INITIATES STEAM & COUNT
5	MOVABLE CONTROL BOX
6	STEAM GAGE
7	CONVEYOR SUPPORT
8	GARMENT TRANSFER POINT & STORAGE RAIL
9	GARMENT STORAGE RAIL SUPPORT
10	CONDENSATE RETURN – 1/2" PIPE
11	HIGH OUTPUT CIRCULATION BLOWER
12	STEAM INLET – 1" PIPE
13	GAS TRAIN WITH 1" PIPE INLET
14	BURNER AIR INLET FILTER (FAR SIDE)
15	FLAME SIGHT GLASS
16	OPTIONAL EXHAUST CANOPY WITH FAN & MOTOR

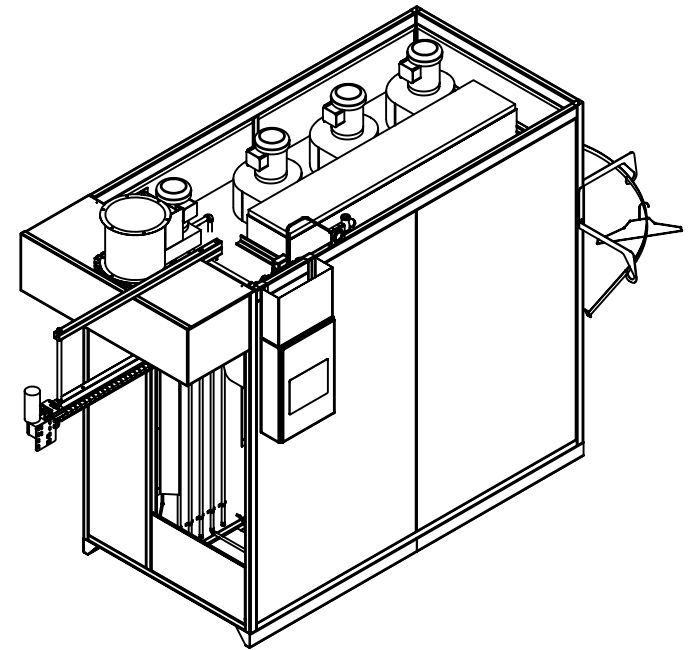
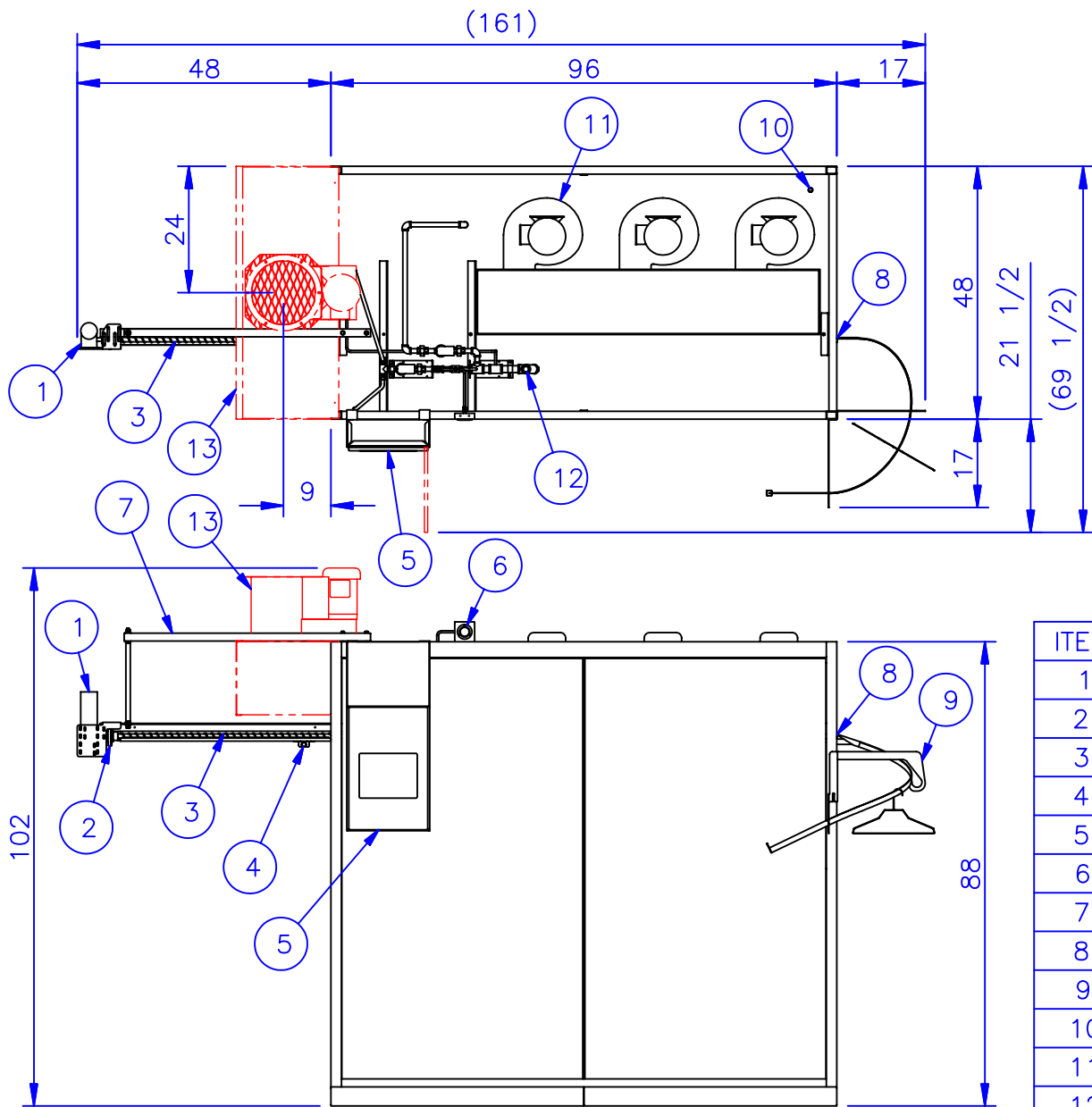


DRAWING NAME CLIENT
MODEL IM72GH
DRAWING NAME
FINISHING TUNNEL

DRAWN BY SPM
CHKD BY RVH
APPD BY RVH
SCALE NTS
DRAWING NUMBER
IM72GH

DRAWING REVISIONS			
REV#	DATE	BY	DESCRIPTION
-	05/17/06	SPM	CREATED DRAWING
A	07/18/07	SPM	CORRECTED STEAM HEADER GEOMETRY
B	07/29/07	SPM	ADDED ITEMS 10 & 13 DESCRIPTIONS

This document is the property of Leonard Automatics, Inc. It has been prepared to provide information to our client, for their decision making and approval process. Any other uses, without the express written permission of Leonard Automatics, Inc. is prohibited. Furthermore, any reproduction of this document, without the express written permission of Leonard Automatics, Inc. is also prohibited.



ITEM	DESCRIPTION
1	DC DRIVE UNIT – VARIABLE SPEED
2	CONVEYOR CLUTCH
3	CONVEYOR, GUARD, & LOAD AREA
4	PROXIMITY SWITCH – INITIATES STEAM & COUNT
5	MOVABLE CONTROL BOX
6	STEAM GAGE
7	CONVEYOR SUPPORT
8	GARMENT TRANSFER POINT & STORAGE RAIL
9	GARMENT STORAGE RAIL SUPPORT
10	CONDENSATE RETURN – 1/2" PIPE
11	HIGH OUTPUT CIRCULATION BLOWER
12	STEAM INLET – 1" PIPE
13	OPTIONAL EXHAUST CANOPY WITH FAN & MOTOR

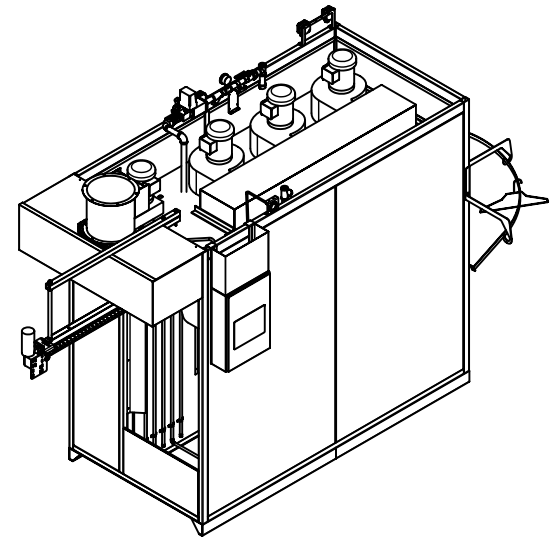
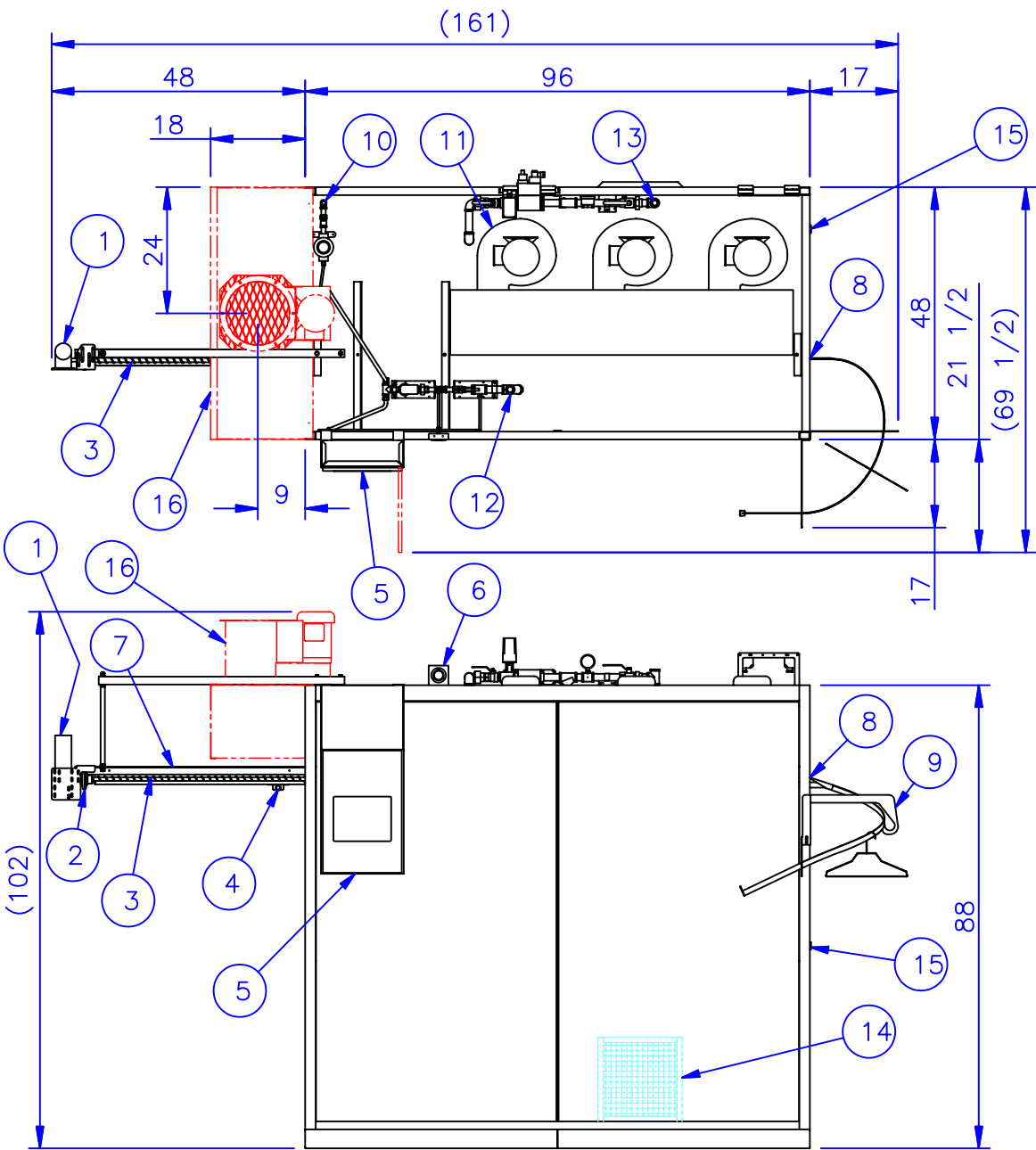


MODEL IM96SH
FINISHING TUNNEL

SPM
RVH
RVH
NTS
DRAWING NUMBER
IM96SH

DRAWING REVISIONS			
REV#	DATE	BY	DESCRIPTION
-	12/20/16	SPM	CREATED DRAWING
A	01/20/17	SPM	UPDATED MACHINE GEOMETRY
B	01/20/17	SPM	CORRECTED STEAM INLET & CONDENSATE RETURN
C	01/20/17	SPM	ADDED ITEM 7 DESCRIPTION

This document is the property of Leonard Automatics, Inc. It has been prepared to provide information to our client, for their decision making and approval process. Any other uses, without the express written permission of Leonard Automatics, Inc. is prohibited. Furthermore, any reproduction of this document, without the express written permission of Leonard Automatics, Inc. is also prohibited.



ITEM	DESCRIPTION
1	DC DRIVE UNIT - VARIABLE SPEED
2	CONVEYOR CLUTCH
3	CONVEYOR, GUARD, & LOAD AREA
4	PROXIMITY SWITCH - INITIATES STEAM & COUNT
5	MOVABLE CONTROL BOX
6	STEAM GAGE
7	CONVEYOR SUPPORT
8	GARMENT TRANSFER POINT & STORAGE RAIL
9	GARMENT STORAGE RAIL SUPPORT
10	CONDENSATE RETURN - 1/2" PIPE
11	HIGH OUTPUT CIRCULATION BLOWER
12	STEAM INLET - 1" PIPE
13	GAS TRAIN WITH 1" PIPE INLET
14	BURNER AIR INLET FILTER (FAR SIDE)
15	FLAME SIGHT GLASS
16	OPTIONAL EXHAUST CANOPY WITH FAN & MOTOR



DRAWING NAME CLIENT
MODEL IM96GH
FINISHING TUNNEL

DRAWN BY SPM
CHKD BY RVH
APPD BY RVH
SCALE NTS
DRAWING NUMBER
IM96GH

DRAWING REVISIONS			
REV#	DATE	BY	DESCRIPTION
-	04/28/06	SPM	CREATED DRAWING
A	08/17/06	SPM	UPDATED MACHINE GEOMETRY
B	10/18/07	SPM	CORRECTED STEAM HEADER GEOMETRY
C	10/29/07	SPM	ADDED ITEMS 5 & 14 DESCRIPTION

This document is the property of Leonard Automatics, Inc. It has been prepared to provide information to our client, for their decision making and approval process. Any other uses, without the express written permission of Leonard Automatics, Inc. is prohibited. Furthermore, any reproduction of this document, without the express written permission of Leonard Automatics, Inc. is also prohibited.