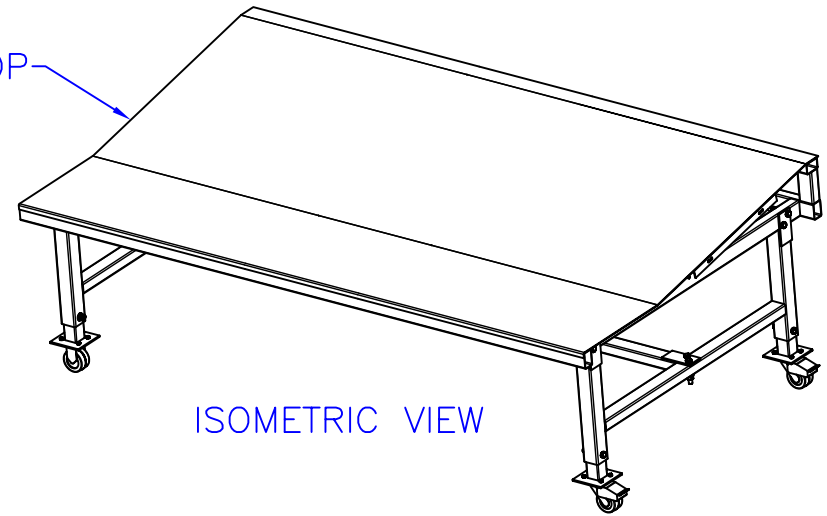
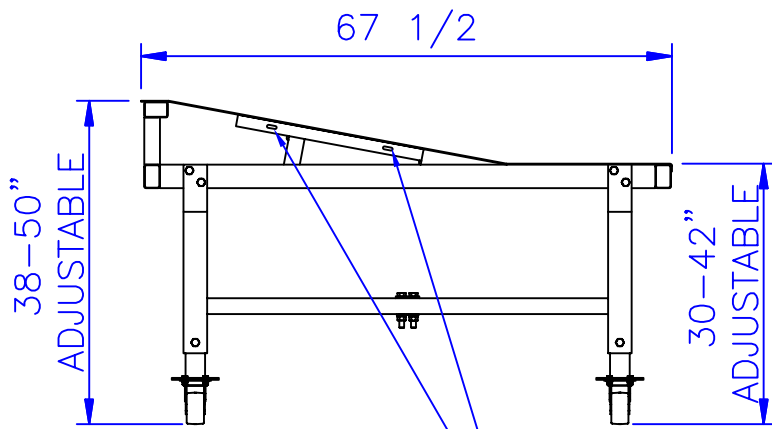


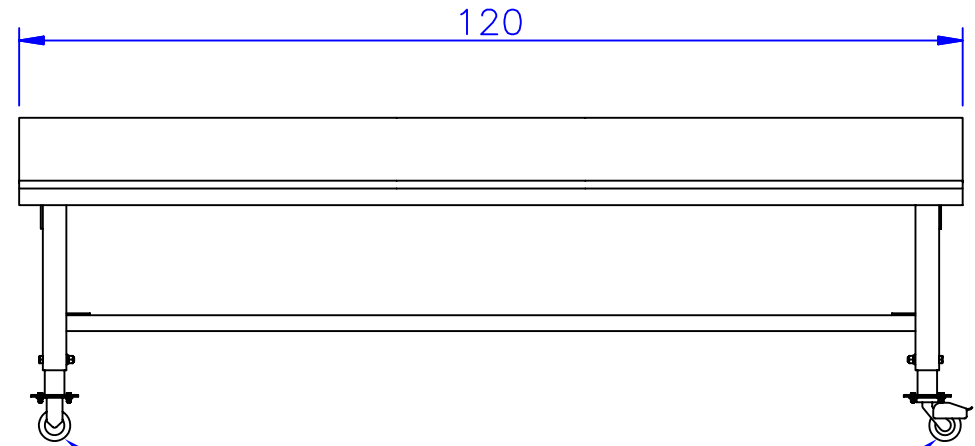
STAINLESS STEEL TABLE TOP



ISOMETRIC VIEW



TABLES CAN BE CONNECTED END TO END AT THESE LOCATIONS



FIXED CASTER
2 PLACES

SWIVEL CASTER
2 PLACES

NOTE: TABLE WEIGHS APPROXIMATELY 700 LBS.



LEONARD
AUTOMATICS
INC.

DRAWING NAME CLIENT

SLANT TABLE
SCHEMATIC

DRAWN BY SPM
CHKD BY —
APPD BY —
SCALE NTS

DRAWING NUMBER

LA-1535

DRAWING REVISIONS

REV#	DATE	BY	DESCRIPTION
1	11/14/07	SPM	CREATED DRAWING

This document is the property of Leonard Automatics, Inc. It has been prepared to provide information to our client, for their decision making and approval process. Any other uses, without the express written permission of Leonard Automatics, Inc. is prohibited. Furthermore, any reproduction of this document, without the express written permission of Leonard Automatics, Inc. is also prohibited.

DWG IN INCHES