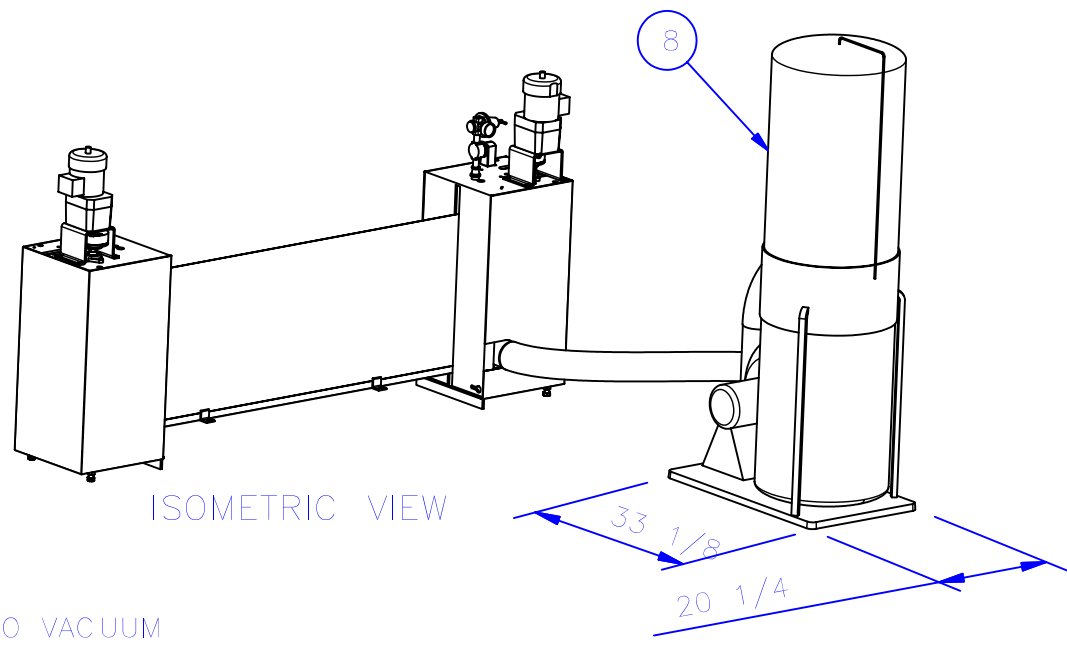
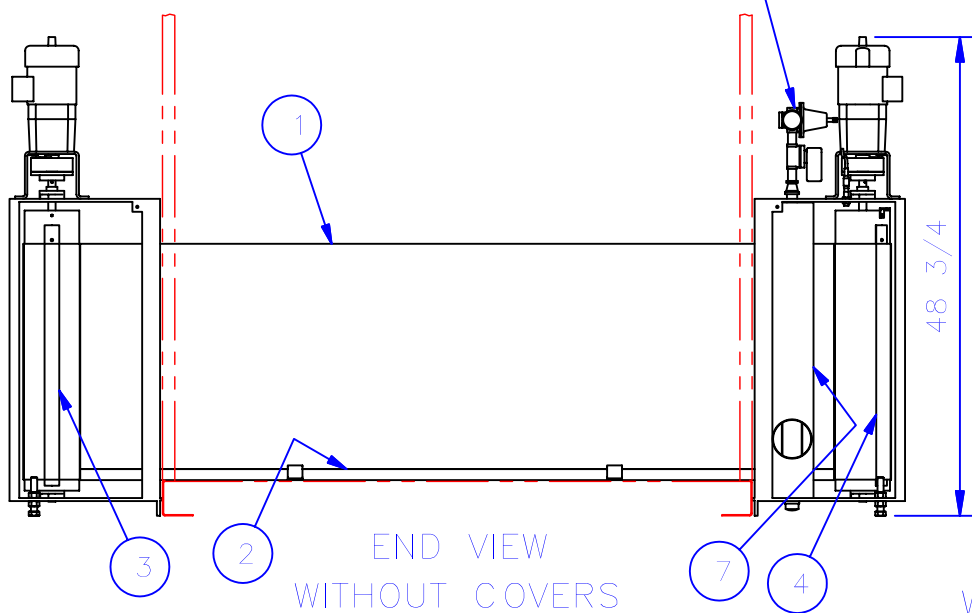


FULL WIDTH AIR FLOW THROUGH FILTER INTAKE

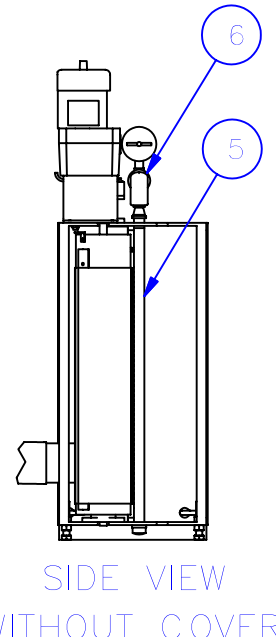
TOP VIEW



ISOMETRIC VIEW



END VIEW WITHOUT COVERS



SIDE VIEW WITHOUT COVER

ITEM	DESCRIPTION
1	FILTER MEDIA
2	FILTER MEDIA SUPPORT TRACK
3	FILTER MEDIA ROLLER SYSTEM
4	TAKE UP ROLLER SYSTEM
5	HIGH PRESSURE AIR CLEANING PIPE
6	AIR PRESSURE GAGE & REGULATOR WITH 1" NPT INLET
7	VACUUM COLLECTION TUBE
8	VACUUM UNIT WITH COLLECTION BAG



DRAWING NAME CLIENT

# AUTO FILTER

DRAWING NUMBER

## LA-1364

DRAWING REVISIONS			
REV#	DATE	BY	DESCRIPTION
-	08/02/08	SPM	CREATED DRAWING

This document is the property of Leonard Automatics, Inc. It has been prepared to provide information to our client, for their decision making and approval process. Any other uses, without the express written permission of Leonard Automatics, Inc. is prohibited. Furthermore, any reproduction of this document, without the express written permission of Leonard Automatics, Inc. is also prohibited.